

Emergency stop with 2 positive opening

contacts in a 42mm enclosure

E-Stop 42 2NC M12(5)
with M12 connection
5-pole
Emergency-Stop button
2 NC (positively-opening)

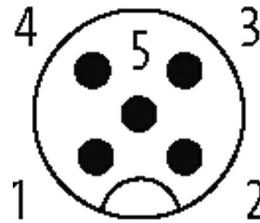
[Link to Product](#)

Illustration

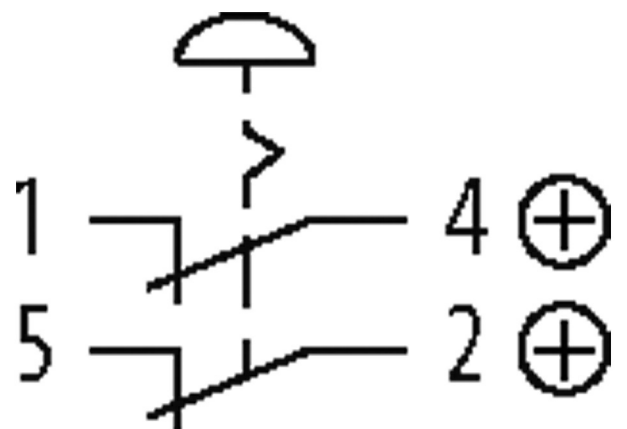
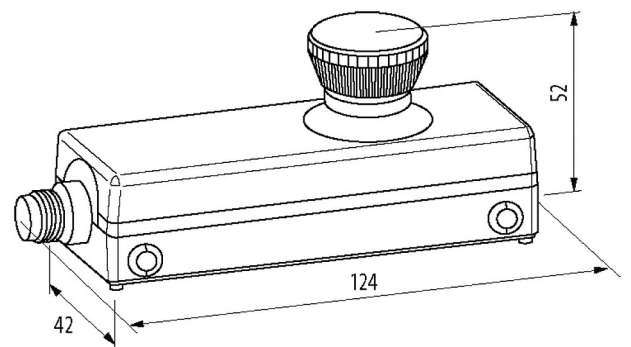
stay connected



Male



- PIN 1: N/C 1
- PIN 2: N/C 2
- PIN 3: n.c.
- PIN 4: N/C 1
- PIN 5: N/C 2



Product may differ from Image

Approvals



Contact Layout

PIN 1	N/C 1
PIN 2	N/O 2
PIN 3	n.c.
PIN 4	N/C 1
PIN 5	N/O 2

Technical Data

Operating voltage	24 V AC/DC
Contact bounce time	max. 10 ms
Operating current	2 A

General data

Mech./ elect. life	50 000 actuations, load-temperature dependent
Lambda (d)	20% (N/C)
B10d	250 000
Material (contact)	Ag Ni
Protection	IP65
Connection	M12 (5-pole)
Mounting method	with clip on back
Dimensions H×W×D	52×124×42 mm
Temperature range	-25...+70 °C (storage temperature -25...+85 °C)

Commercial data

country of origin	DE
customs tariff number	85365080
EAN	4048879594202
eClass	27371244
Packaging unit	1